

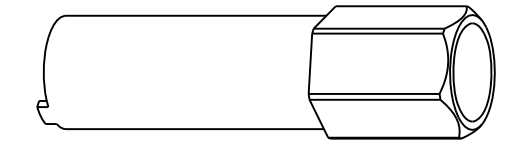
THIRD ANGLE PROJ.

REVISIONS

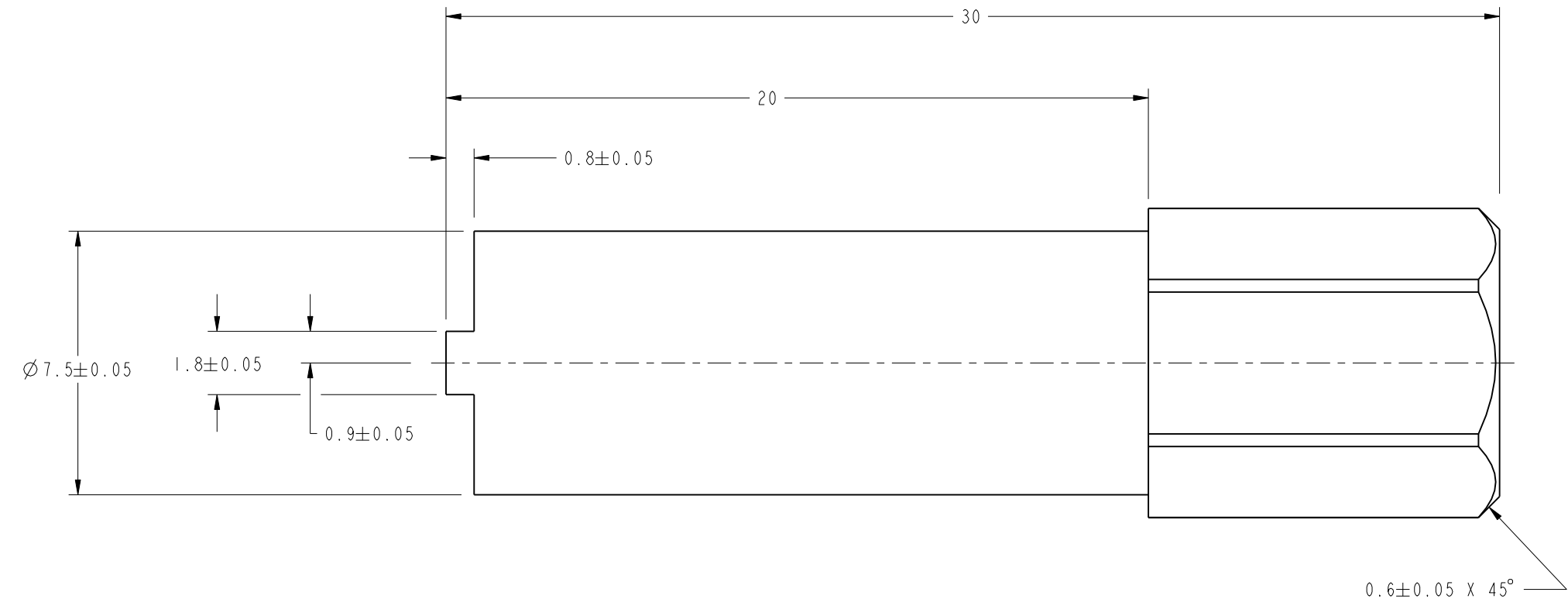
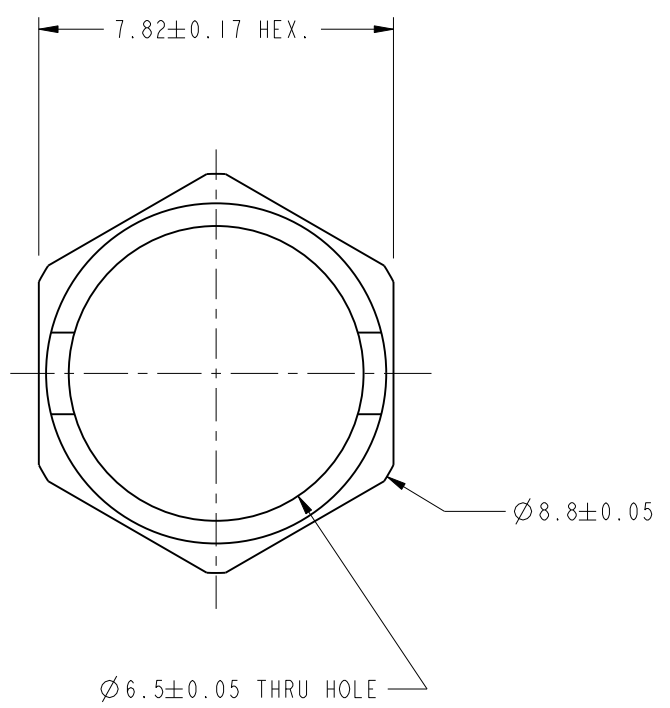
REV	DESCRIPTION	DATE	ECO	APPR
A	RELEASE TO MFG.		46661	

NOTES:

1. DO NOT SCALE THIS DRAWING.
2. UNLESS OTHERWISE SPECIFIED:
 - A. HOLES, SLOTS AND DIAMETERS TO BE PARALLEL AND CONCENTRIC WITHIN .003 T.I.R.
 - B. REMOVE ALL BURRS, BREAK ALL SHARP EDGES .005 MAX.
 - C. SURFACE FINISH TO BE 63 MICROINCHES MAX.
 - D. ALL DIMENSIONS ARE BEFORE PLATING.
3. PART NUMBER CONTAINING LETTER SUFFIX REQUIRES PLATING PER AMPHENOL SPEC 349-50560.



SCALE 2.000



METRIC DRAWING

<p>UNLESS OTHERWISE SPECIFIED, DIMENSIONS ARE METRIC AND TOLERANCES ARE: 1 PLACE DECIMAL ± 0.3MM (.012") 2 PLACE DECIMAL ± .10 MM (.004") ANGLES ± 1°</p> <p>NOTICE - These drawings, specifications, or other data (1) are, and remain the property of Amphenol corp. (2) must be returned upon request; and (3) are confidential and not to be disclosed to any person other than those to whom they are given by Amphenol Corp. the furnishing of these drawings, specifications, or other data by Amphenol Corp., or to any other person to anyone for any purpose is not to be regarded by implication or otherwise in any manner licensing, granting rights to permitting such holder or any other sperson to manufacture, use or sell any product, process or design, patented or otherwise, that may in any way be related to or disclosed by said drawings, specifications, or other data.</p>	<p>MATERIAL STAINLESS STEEL ASTM A-582</p>	<p>DRAWN G. ANTONINI</p> <p>ENGINEER G. ANTONINI</p> <p>APPROVED</p> <p>CAD FILE I:\TOOL-ASSY\227-1490</p>	<p>DATE 30-Oct-07</p> <p>DATE 30-Oct-07</p> <p>DATE</p>	<p>TITLE HD-BNC SPANNER WRENCH</p> <p>SCALE: 6.0:1.0</p> <p>DWG SIZE B</p> <p>CODE ID 74868</p> <p>REV A</p>	<p>Amphenol RF Danbury CT USA, Tainan, Taiwan, Shenzhen, China www.amphenolrf.com</p> <p>DRAWING NO.</p> <p>ITEM NO.</p> <p>PART NO. 227-1490</p>
	<p>REFERENCE 1725 AND</p> <p>CONFIGURATION LEVEL: A</p> <p>FINISH</p>	<p>DATE</p>	<p>SHEET 1 OF 1</p>	<p>SCALE: 6.0:1.0</p>	<p>DATE</p>